

KIT F.A. 1.25 - 36 VDC 5 A



Description

This is Digital DC Step Down Module Built in XL4016 Chip with High Power.

Parameters

NO	Parameter	Value
1	Product name	Digital DC regulator board
2	Product model	XH-M403
3	Pressure regulation mode	PWM modulation
4	Input voltage	DC4-40V
5	Output voltage	DC1.25--36V
6	Maximum current	8A (long term recommendation 5A)
7	Maximum power	200W
8	Conversion efficiency	0.94
9	Switching frequency	180KHz
10	Appearance size	78*63*40mm
11	Other functions	Short circuit protection current measurement

Features

Real time display output voltage without detection. It is convenient and safe. The Low voltage display accuracy 0.1V.

Application

1	Electronic maintenance application
2	Rectifier bridge application
3	Power application

Component introduction

1	Built in XL4016 Chip.
2	Regulating potentiometer (damping)
3	Aluminum alloy black coating radiator. (long term use of recommended current should not exceed 5A. If more than 5A, you need to use fan assisted cooling)
4	Each part comes from the brand, the quality is guaranteed.
5	Large inductance of copper core. Inductive coil action on AC finite current. It can be composed of high or low pass filter with resistor or capacitor. Phase shifting circuit and resonant electric. It can connect DC and resistance AC.
6	Dual layer high density glass fiber circuit board for 1.6mm military quality. The circuit board is not only thick, but also of high density. And after a long period of use, there will be no edge delamination bulge phenomenon.

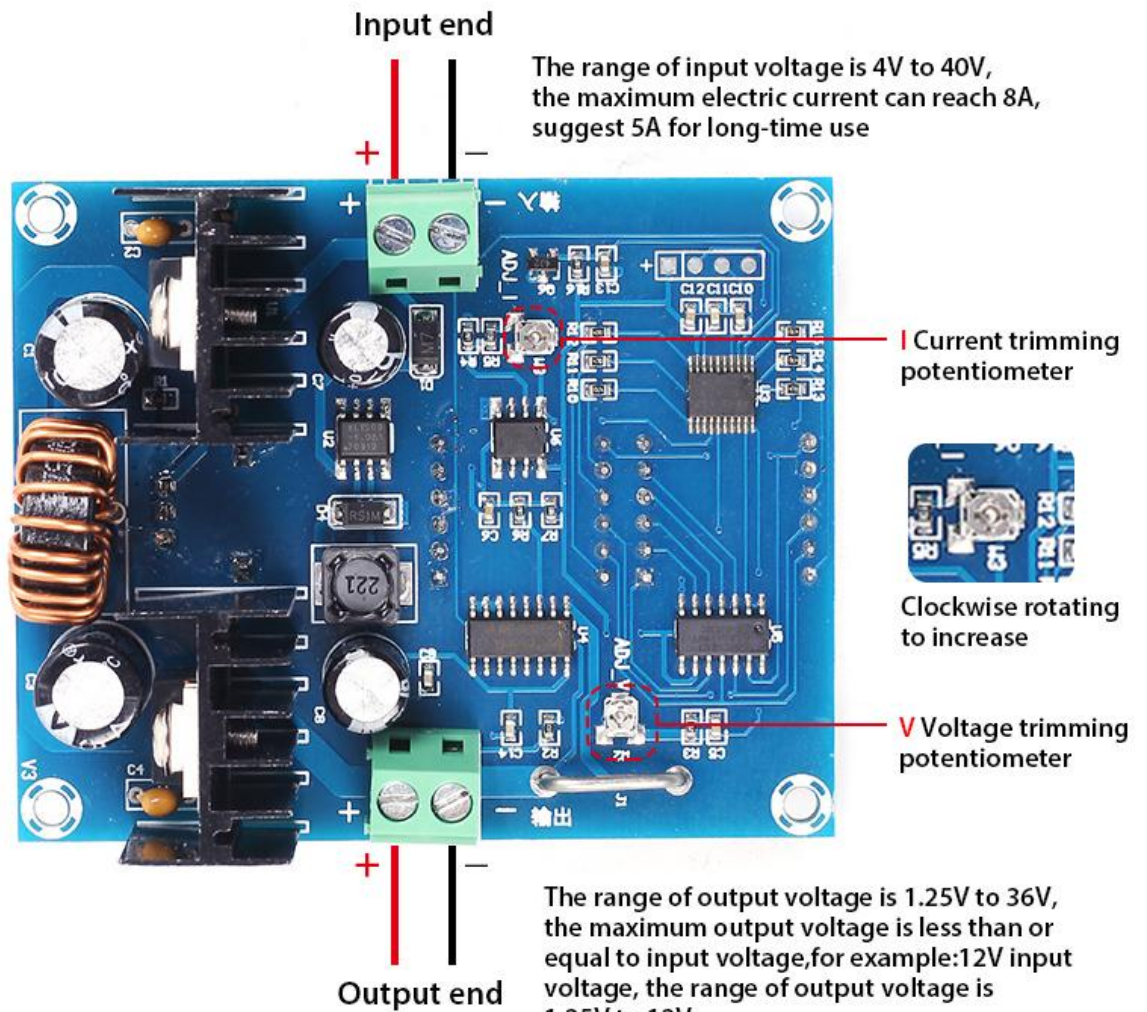
Component introduction

1	The input voltage range is 4-40V. The output voltage range is 1.25-36V.
2	Digital tube V shows the output voltage value, digital tube A shows the current value.
3	If the regulating potentiometer is adjusted clockwise, the output voltage will increase. The output voltage is reduced if the counter is adjusted clockwise. After adjusting the voltage, connect the load to prevent burn out load.



Wiring attention

- 1>. The input voltage range is 4-40V. The output voltage range is 1.25-36V.
- 2>. Digital tube V shows the output voltage value, digital tube A shows the current value.
- 3>. If the regulating potentiometer is adjusted clockwise, the output voltage will increase. The output voltage is reduced if the counter is adjusted clockwise. After adjusting the voltage, connect the load to prevent burn out load.



JOSE DEL HIERRO 44 28027 MADRID TEL : 913671690 e-MAIL: palcoelectronic@hotmail.com

Fotos no contractuales. Características validas salvo error tipográfico. Reservado el derecho de modificar las características o materiales de esta oferta por falta de stock.